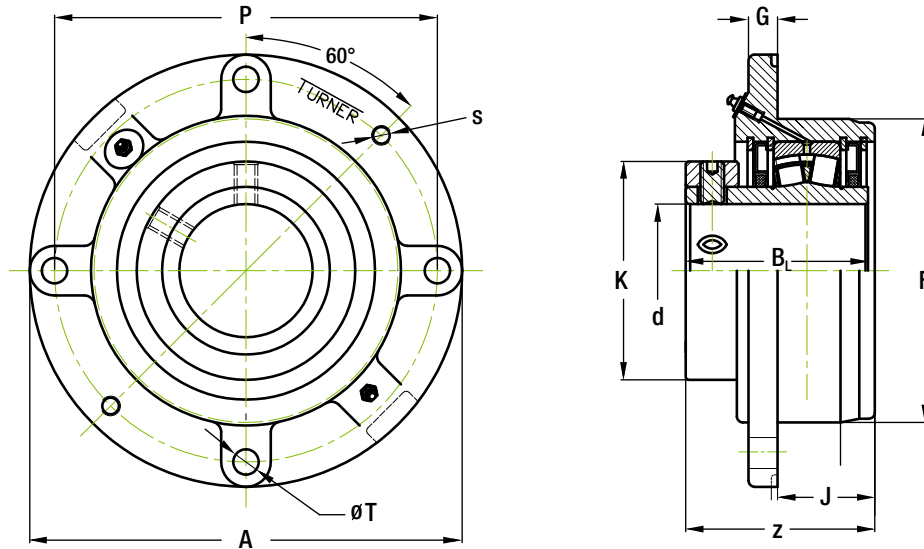


# SFC SERIES

## SPHERICAL ROLLER BEARINGS



Bearing Number	d	Dimensions (in)								Bolt Hole T (in)	S (in)		Dynamic Load Capacity Cr (lbs.) (KN)	Static Load Capacity Cor (lbs.) (KN)
		P	A	Z	J	B <sub>L</sub>	F	K	G		Qty	Size		
SFC 1-15/16T SFC 2T	1-15/16 2	5.375	6.375	3.156	1.594	2.875	4.500	2.875	0.563	0.531	2	7/16-14 UNC	20,460 91.0	25,630 114.0
SFC 2-3/16T SFC 2-1/4T	2-3/16 2-1/4	6.000	7.125	3.313	1.656	3.125	5.000	3.250	0.563	0.594	2	1/2-13 UNC	23,600 105.0	28,325 126.0
SFC 2-7/16T SFC 2-1/2T	2-7/16 2-1/2	6.500	7.625	3.500	1.688	3.375	5.500	4.000	0.625	0.594	2	1/2-13 UNC	37,630 167.4	46,960 208.9
SFC 2-11/16T SFC 2-3/4T SFC 2-15/16T SFC 3T	2-11/16 2-3/4 2-15/16 3	7.500	8.750	3.906	2.031	3.625	6.375	4.500	0.688	0.750	2	5/8-11 UNC	41,590 185.0	53,050 236.0
SFC 3-7/16T	3-7/16	8.625	10.250	4.219	1.938	4.031	7.375	5.125	0.875	0.875	2	3/4-10 UNC	63,280 281.5	84,100 374.1
SFC 3-15/16T	3-15/16	9.375	10.875	4.813	2.406	4.594	8.125	6.000	0.875	0.875	2	3/4-10 UNC	84,410 375.5	112,580 500.8

\*Dimensions listed are for non-expansion units, for expansion type, adjust +/- 0.050".

# TURNER®

Mounted Bearings

Turner mounted bearings are a product of Baart Industrial Group (Baart). While Baart has tried to ensure the accuracy of the information contained in this document, Baart accepts no responsibility for inaccurate in, or changes to, such information. All rights reserved. ©2018